

Resistance Sensors (Dual Probe)

Models NS127, NS128 and NS143

FEATURES

- 100% functionally tested
- Isolated UL Class II sensing voltage
- 1/4" male fast-ons for circuit connection
- Conformal coating to protect circuit from harsh environments
- File #E61377 Model NS127 and NS128 only

Operating Logic: In the Model NS127 (Pump Down) the output relay is de-energized until the liquid reaches the high probe. When liquid touches the high probe, the output relay is activated until the level drops below the low probe.

In Models NS128 and NS143 (Pump Up) the output relay is energized until the liquid reaches the high probe. When the liquid touches the high probe, the output relay is deactivated until the level drops below the low probe.

If the tank is non-conductive, a third (common) probe must be installed at a level where it will always be submerged.

SPECIFICATIONS

CONTROL TYPE

On/Off Resistance Sensing:

NS127: Probe resistance below set point activates relay
NS128 and NS143: Probe resistance above set point activates relay

Sensing Voltage: 15 VAC, max. RMS

Sensing Current: 2 mA, max. RMS

Sensitivity Adjustment:

NS127 and NS128: Factory set at 100k ohms $\pm 10\%$

NS143: Factory set at 50 K ohms $\pm 10\%$

OUTPUT

Type:

NS127 and NS128: Isolated relay contacts, SPDT (1 Form C)

NS143: Relay contact SPST-NO switches L1 to normally open terminals

Rating:

NS127 and NS128: 10 A resistive at 120 VAC, 5 A resistive at 240 VAC

NS143: 5 A resistive at 120, 240 VAC, 100 mA at 5 VDC minimum load current

Life:

Mechanical:

NS143: 5,000,000 cycles

NS127, NS128: 10,000,000

Electrical: 100,000 min. at full load

INPUT

Operating Voltage: 120, 240 VAC, $\pm 10\%$

Power Consumption: 3.0 VA max.

Frequency: 50/60 Hz

PROTECTION

Isolation: 1500 VAC between probe and other terminals

MECHANICAL

Terminations: 1/4" x .032" male fast-ons

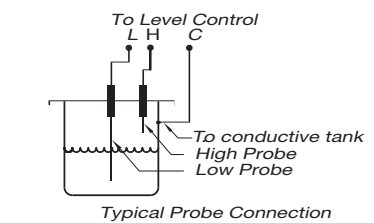
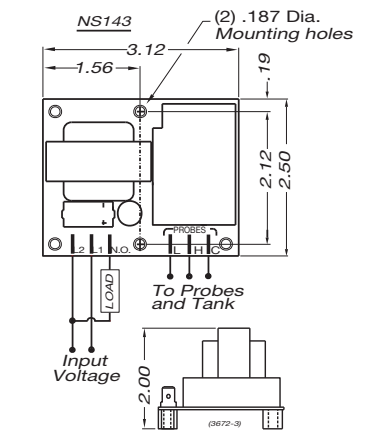
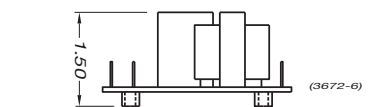
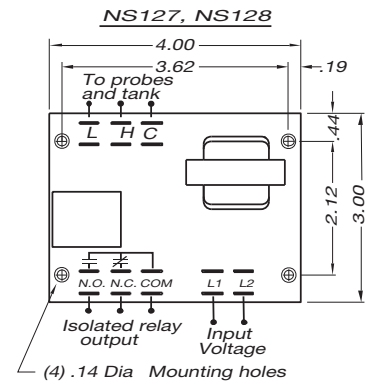
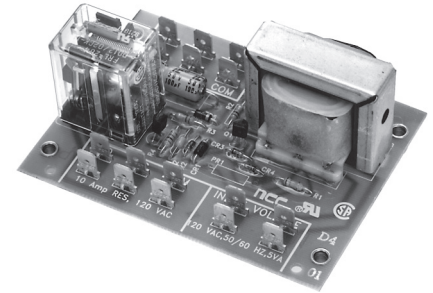
Mounting:

NS127 and NS128: 4 -.141" dia. mounting holes

NS143: 2 -.187" dia. mounting holes

ENVIRONMENTAL

Operating Temperature: -20°C to 55°C



ORDERING INFORMATION

LOGIC TYPE	INPUT VOLTAGE	PART NUMBER
Pump Down	120 VAC	LNC-NS127-120
Pump Up	120 VAC	LNC-NS128-120
Pump Up	240 VAC	LNC-NS128-240
Pump Up	120 VAC	LNC-NS143-120
Pump Up	240 VAC	LNC-NS143-240

ACCESSORY	PART NUMBER
Probe Holder with Ground	LLH-11383-010
Probe, 6" Long, 1/4" Dia., S.S.	LLP-06.00-OSS
Probe, 12" Long, 1/4" Dia., S.S.	LLP-12.00-OSS
Probe, 24" Long, 1/4" Dia., S.S.	LLP-24.00-OSS
Probe Assembly, Plastic Body	LLP-001/2-011